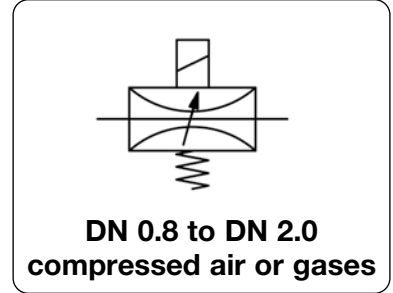


Description	The miniature flow valve is highly reliable and combines precise control of flow rate with compact design and only 80 g weight. It can be used for vacuum or pressure up to 12 bar. Plug amplifier required.		
Media	50 µm filtered compressed air, vacuum or non-corrosive gases		
Plug amplifier	Conversion of the analogue signal into a pulse-wide modulated current.		
	Supply voltage: 24 V DC, max. 1.1 A	Adjustment:	zero point and range
	Switchable signal: 0...10 V, 0...20 mA, 4...20 mA	Time ramp:	0.1 to 3 s selectable
	Close function: < 2% of max. signal	Frequency:	1000 Hz
Electrical connector	plug, contact gap 9.4 mm, 3-pin, with coupling socket (Pg 7P)		
Operating pressure	see chart, max. 10 bar		
Repeatability	< 3% FS		
Response sensitivity	< 2% FS		
Polarity	any for valve		
Mounting position	any		
Material	Body: brass	Elastomer: FPM	Manifold: brass (M5), zinc die-cast (G½), polyamide (Ø4)
	Inner valve: stainless steel and brass		



Prop.-V.
11

Description	Dimensions			K _v -value (m ³ /h)	Flow rate l/min*1	Operating pressure max. bar	Nominal size DN	Order number
	A	B	C					

Proportional flow valve	flangeable, for compressed air, 24 V DC,	w/o manifold block, direct control, w/o amplifier	with coupling socket, direct control, w/o amplifier	PV202							
				NC	A	B	C	K _v -value	Flow rate	Operating pressure	Nominal size
				15	48	53	0.0012	0... 1	10	0.2	PV202-002
							0.0048	0... 5	10	0.4	PV202-004
							0.0096	0... 11	10	0.6	PV202-006
							0.0180	0... 20	10	0.8	PV202-008



PV202

Special options, add the appropriate letter

12 V DC	voltage signal	PV202-0..V
---------	----------------	------------



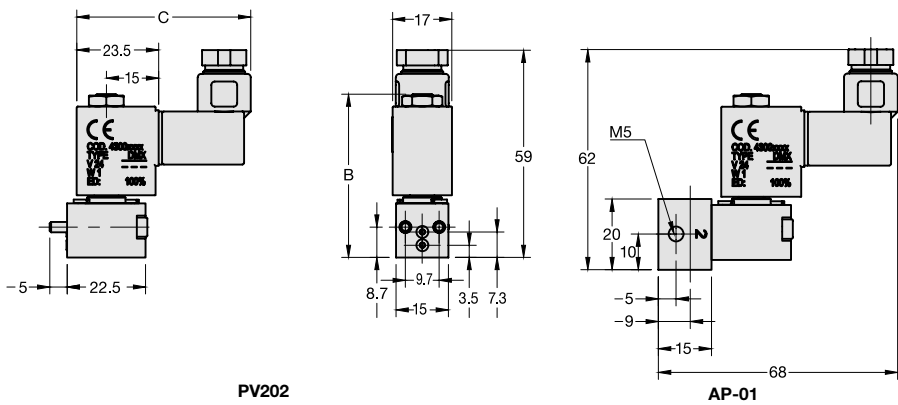
PV202
accessory: manifold block M5

Accessories, enclosed

plug amplifier	24 V DC, switchable 0-10 V, 0-20 mA, 4-20 mA	PVY-05
manifold block	M5	AP-01
	G½	AP-02
	Ø4	AP-03
in-line manifold	Ø4	AP-04
	G½	AP-05

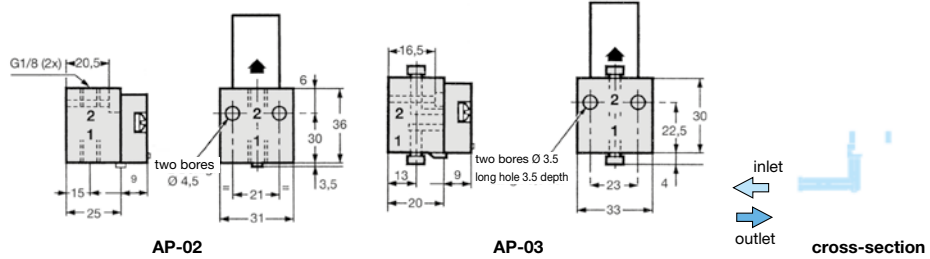


PVY-05



PV202

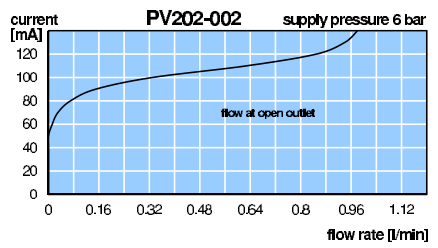
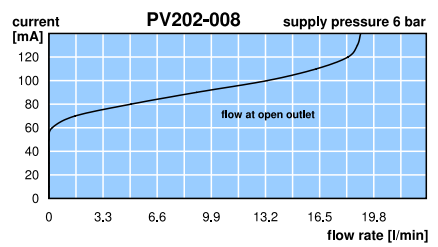
AP-01



AP-02

AP-03

cross-section



*1 operating pressure 6 bar and Δp = 1 bar

More miniature valves: see catalogue MV, also in ATEX version www.aircom.net

Order example: PV202-002